

# Lamberts LINIT U-Glass

## Texture Glass



### Applications

- Museums
- Hospitals
- Shopping Centres
- Sport Stadiums
- Commercial Facades

## Features

Cast or profiled glass is one of the oldest methods of glass production. While the glass is still hot and in a plastic state, it is rolled and bent into 'U' shape profiles of various widths up to 7m long. It is then cooled, annealed and cut to length. The resulting glass channels all have an individual optical character which gives the effect of a lively, light refracting glass façade.

**LINIT** can have multiple surface finishes, including cord and prismsolar patterns, sandblasted or ceramic frit (coloured). LINIT U-Glass can also be made in low iron glass and can be toughened and heat soaked.

Originally, channel glass was a low-cost solution for simple commercial and industrial buildings. However, it has become a fashionable building element that is now specified by leading architects for museums, hospitals, shopping centres and sport stadiums etc

There are many methods of installing these glass elements, including a unique glazing channel system. At Woods Glass, we will help specify the appropriate product based on your design.

*Please ensure the current data sheet is consulted prior to specification. If in doubt please contact Woods Glass.*

# LINIT U-Glass

## Performance/ Specifying

Woods Glass source this glass from 'Lamberts' one of the oldest independent glass manufacturing facilities in Germany, established in 1887.

There are many methods of installing these glass elements, including a unique glazing channel system. At Woods Glass, we will help specify the appropriate product based on your design.

Woods Glass represent the LINIT glass (profiled cast glass) products in New Zealand and are available for providing design and engineering assistance for this specialist glass and the integration of it into your project.

## Cleaning/ Maintenance

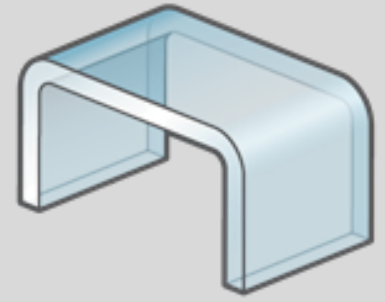
Normally when cleaning glass, a vinegar-based glass cleaner or mild dish soap and water with a soft, lint-free cloth or paper products is recommended. A squeegee or soft cloth may be carefully used to dry the glass and help avoid water spots.

It is not recommended to use petroleum-based cleaners or solvents as they can streak the glass and weaken the seal between the glass and frame. Avoid washing in direct sunlight to reduce streaking on the glass.

Never use razor blades, steel wool, putty knives or abrasive pads as they may damage the glass, particularly on toughened glass.

## Range

The U-profile channels can have multiple surface finishes, including cord and prismsolar patterns, sandblasted or ceramic frit (coloured). LINIT U-Glass can also be made in low iron glass and can be toughened and heat soaked.



## Building Codes

AS/NZS2208 - Building safety glazing materials

## Profiles

- 232 x 41 mm
- 331 x 60 mm

## Maximum Size

- Up to 7m long



Auckland Office

+64 (09) 525 3379

Wellington Office

+64 (04) 913 1999

Christchurch Office

+64 (03) 366 3733